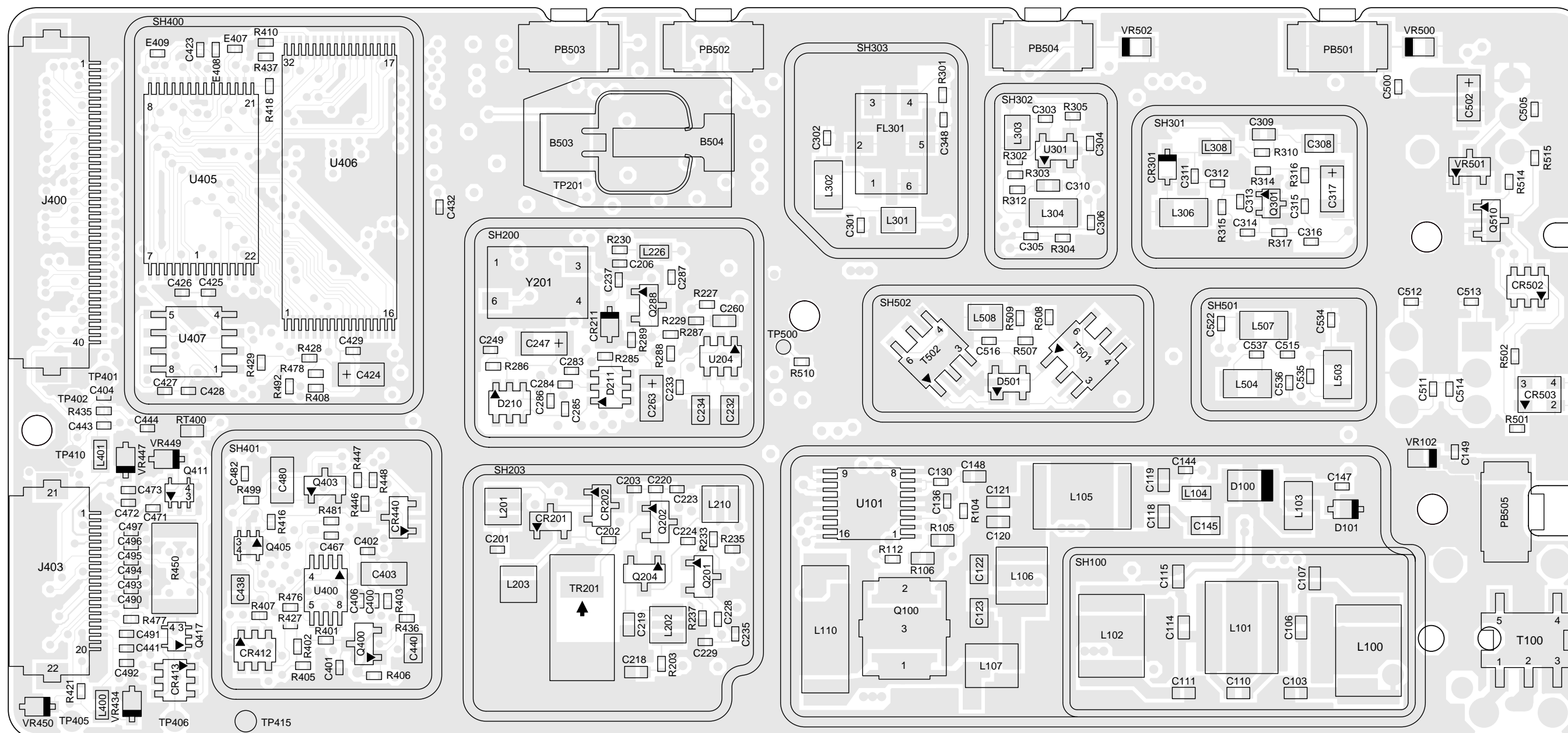


2.0 Lowband PCB 8485658Z03 / Schematics

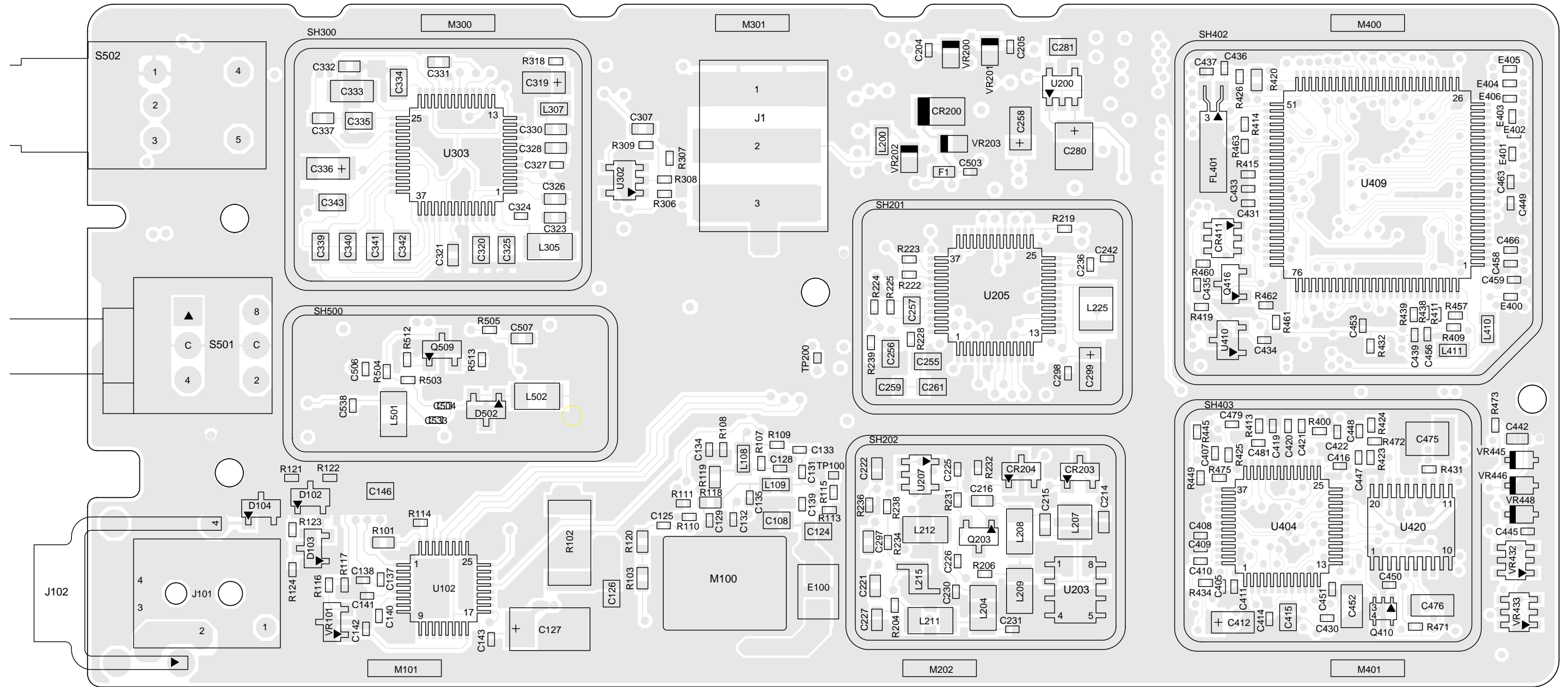
VIEWED FROM SIDE 1



FL0830829-O

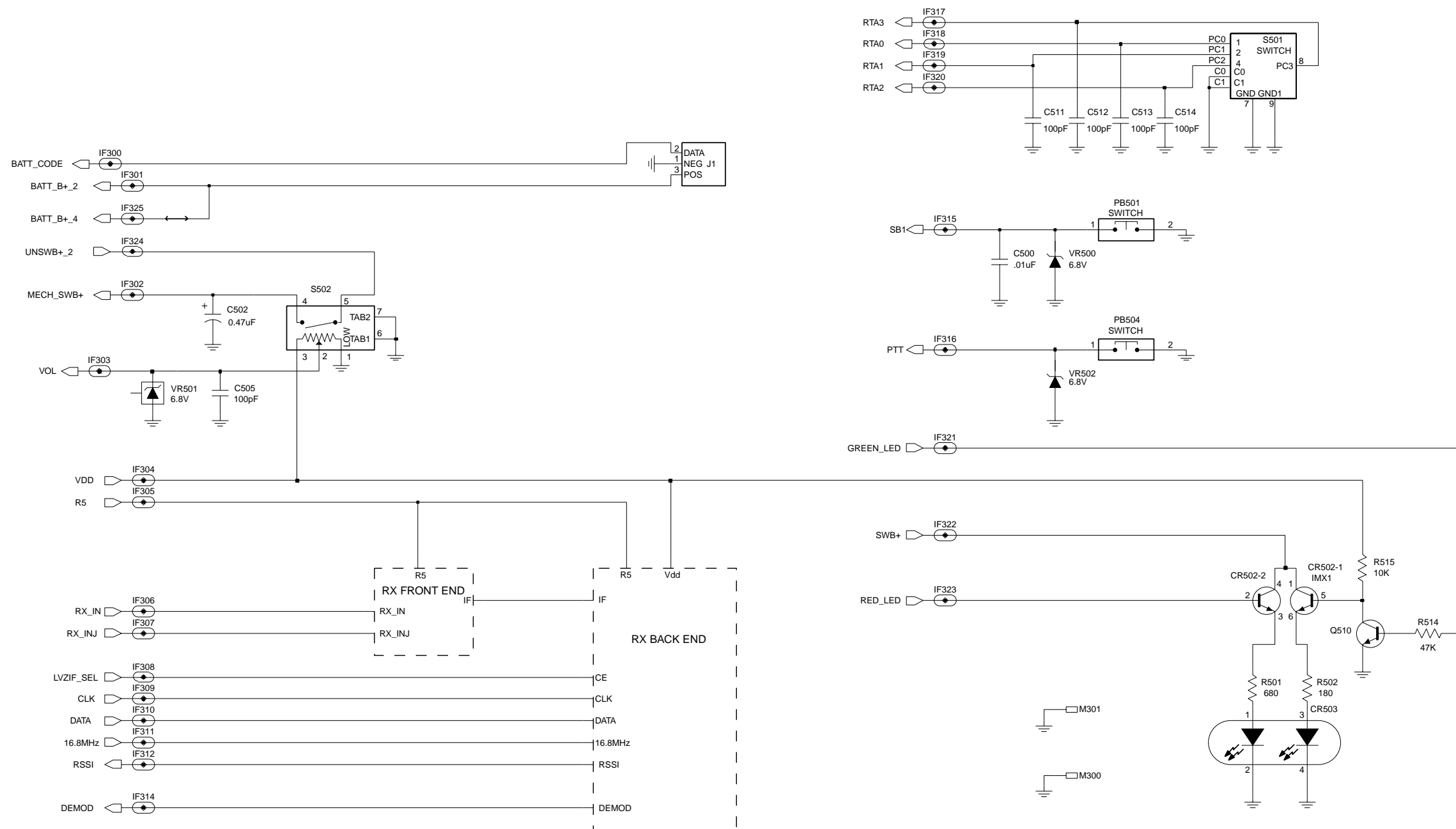
Lowband (30-50 MHz) Main Board Top Side

VIEWED FROM SIDE 2



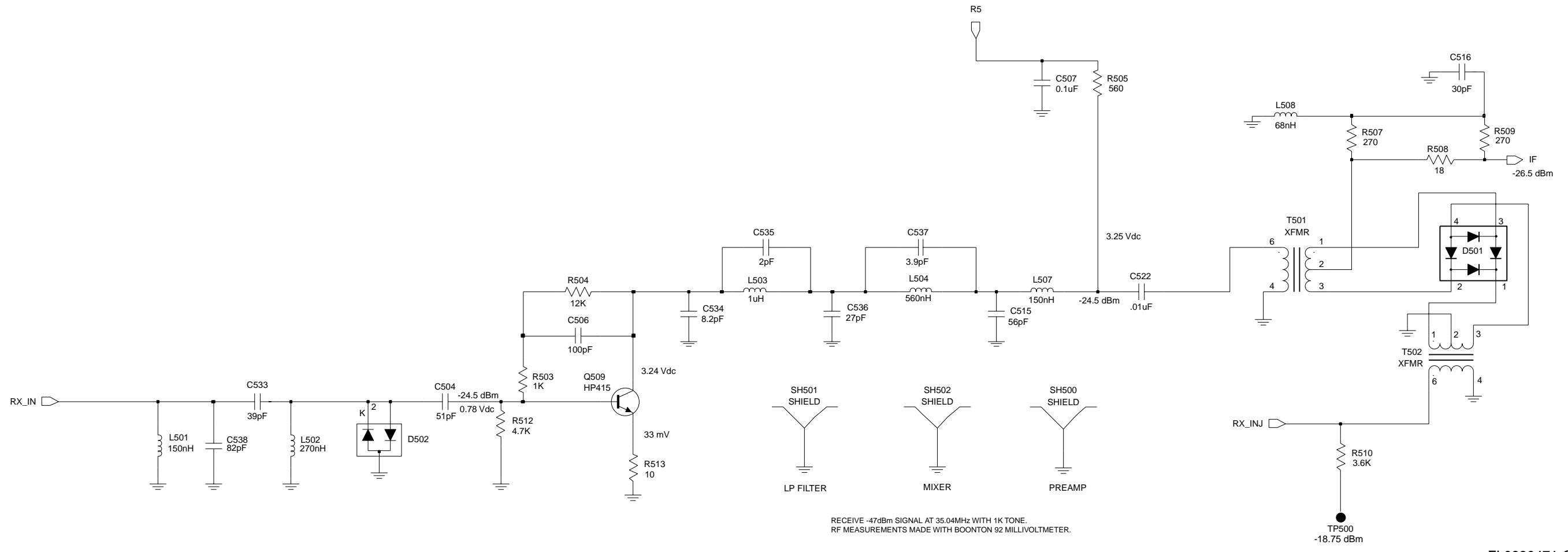
FL0830830-O

Lowband (30-50 MHz) Main Board Bottom Side



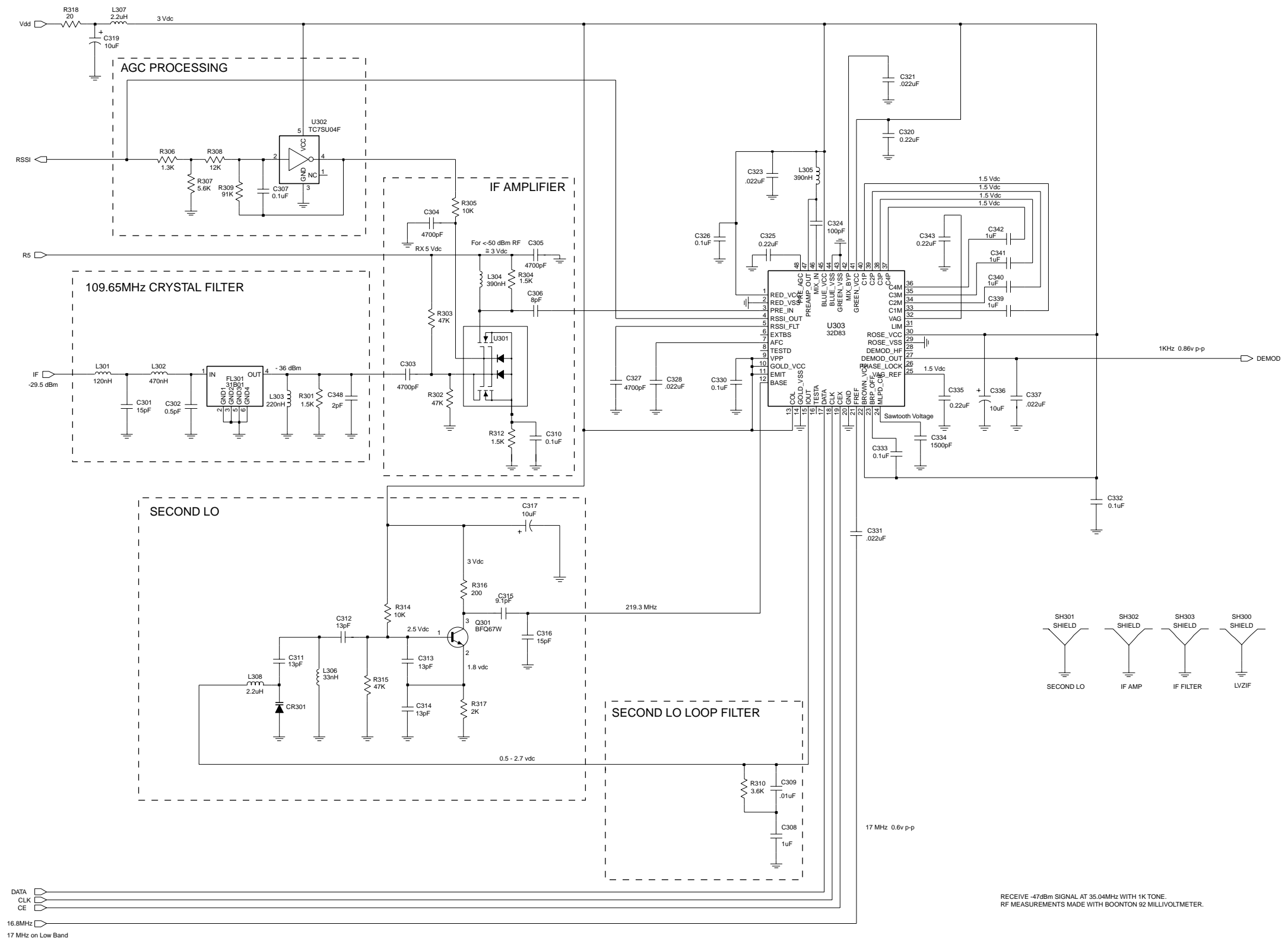
FL0830470-O

Lowband (30-50 MHz) Receiver Overall Schematic



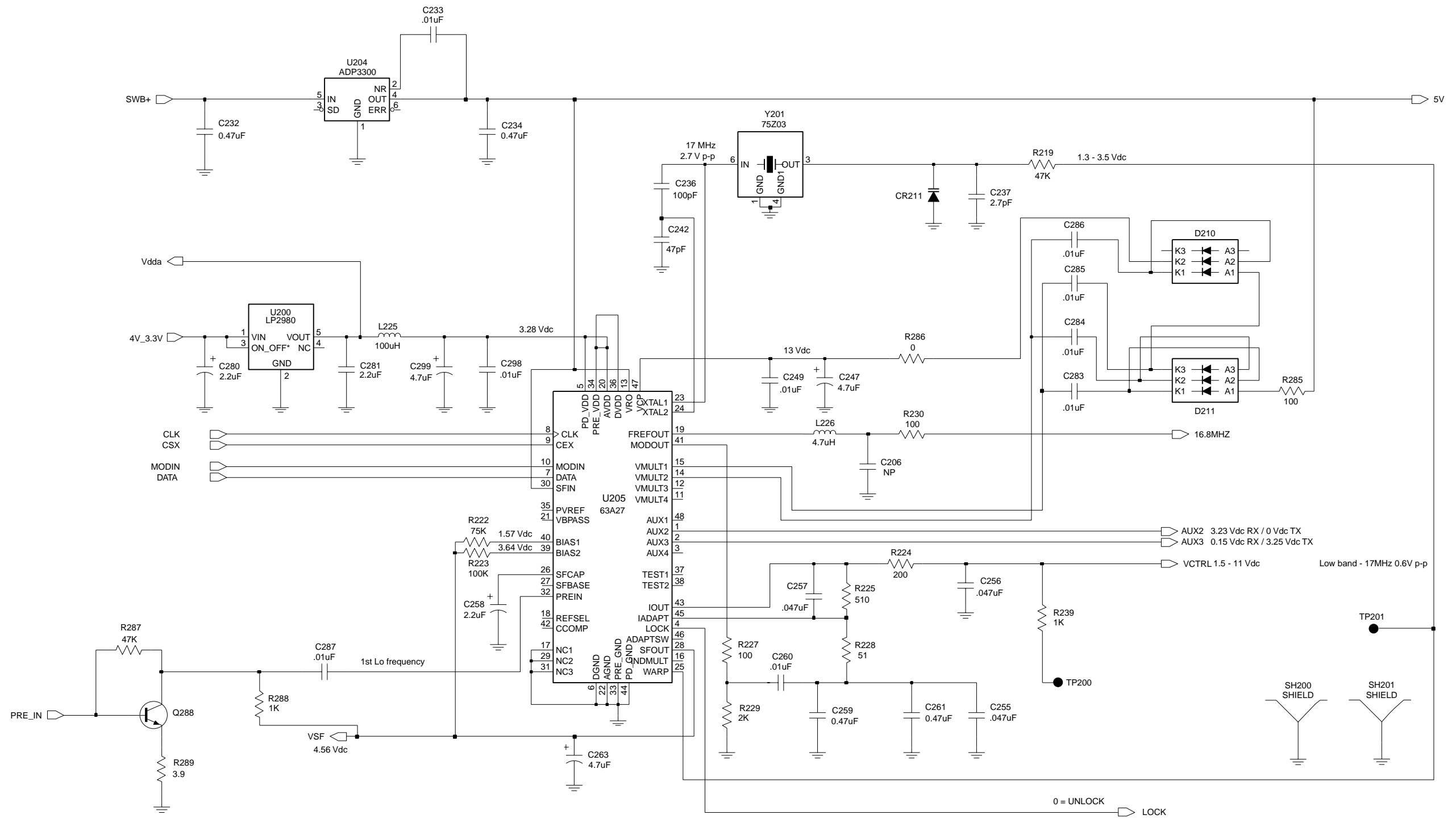
FL0830471-O

Lowband (30-50 MHz) Receiver Front End



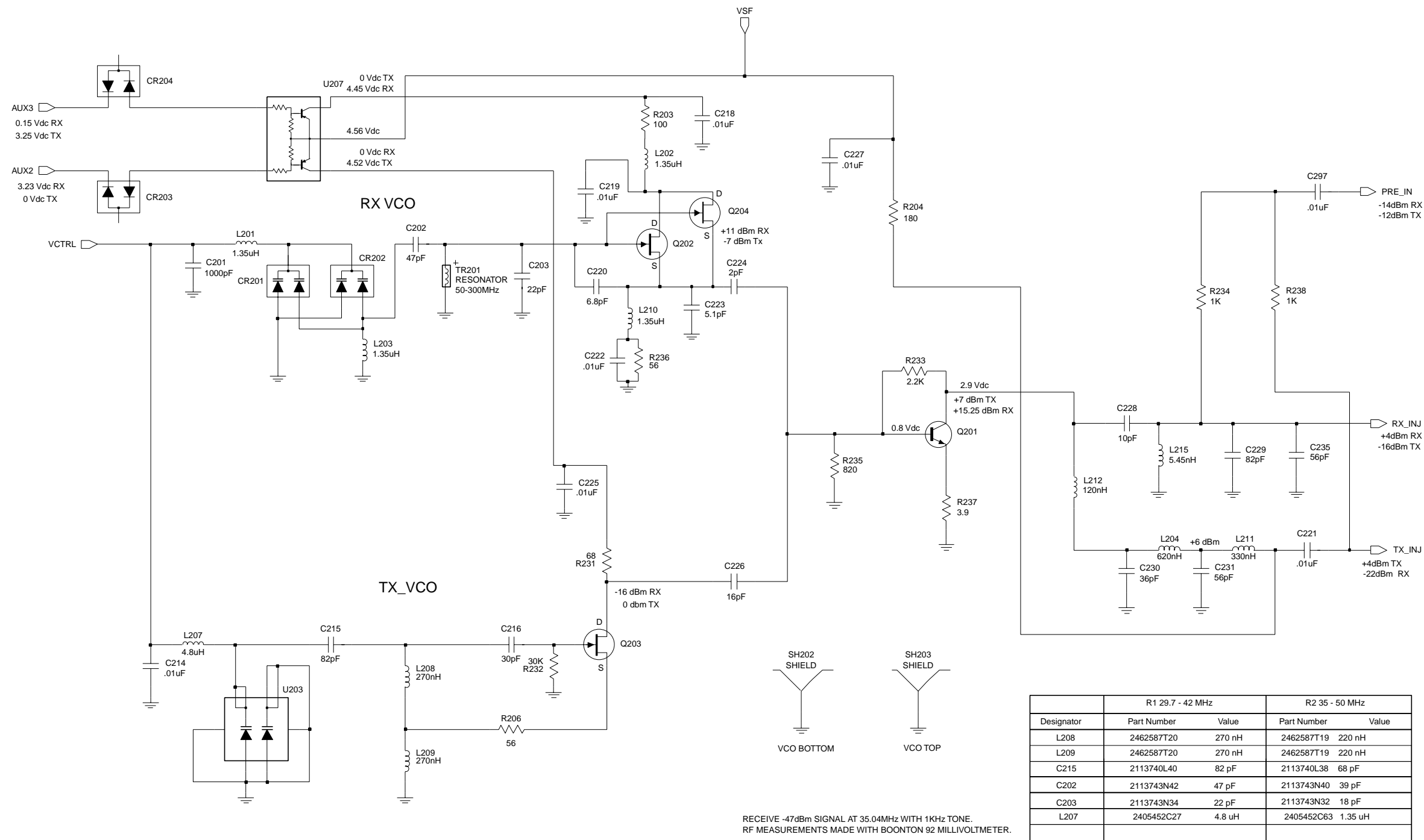
FL0830472-O

Lowband (30-50 MHz) Receiver Back End



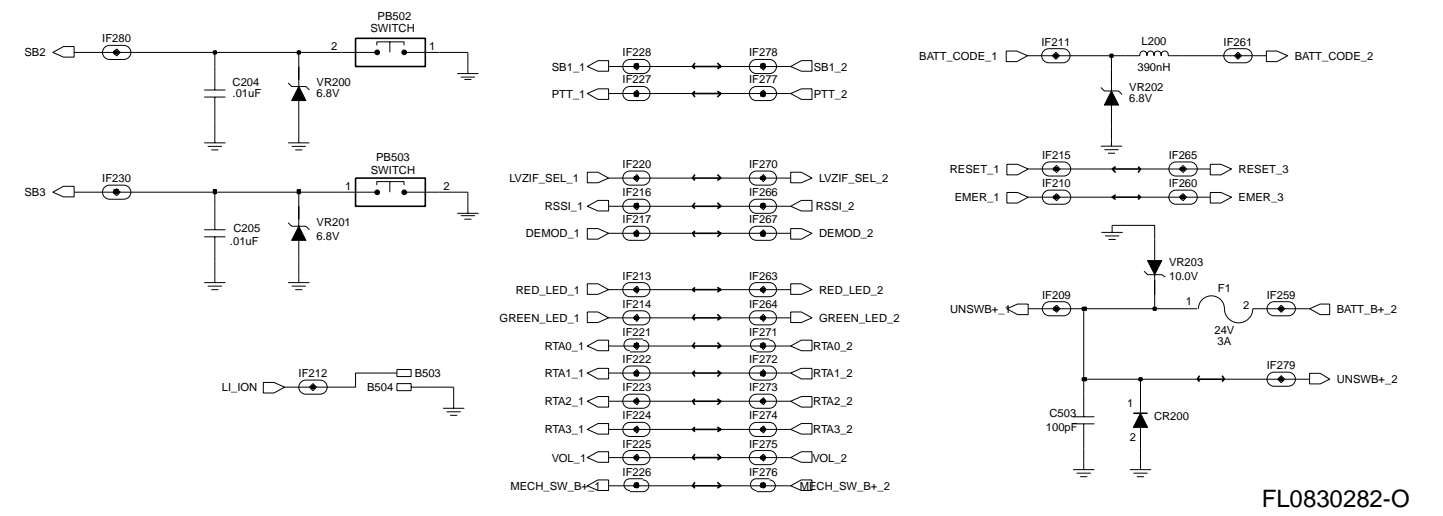
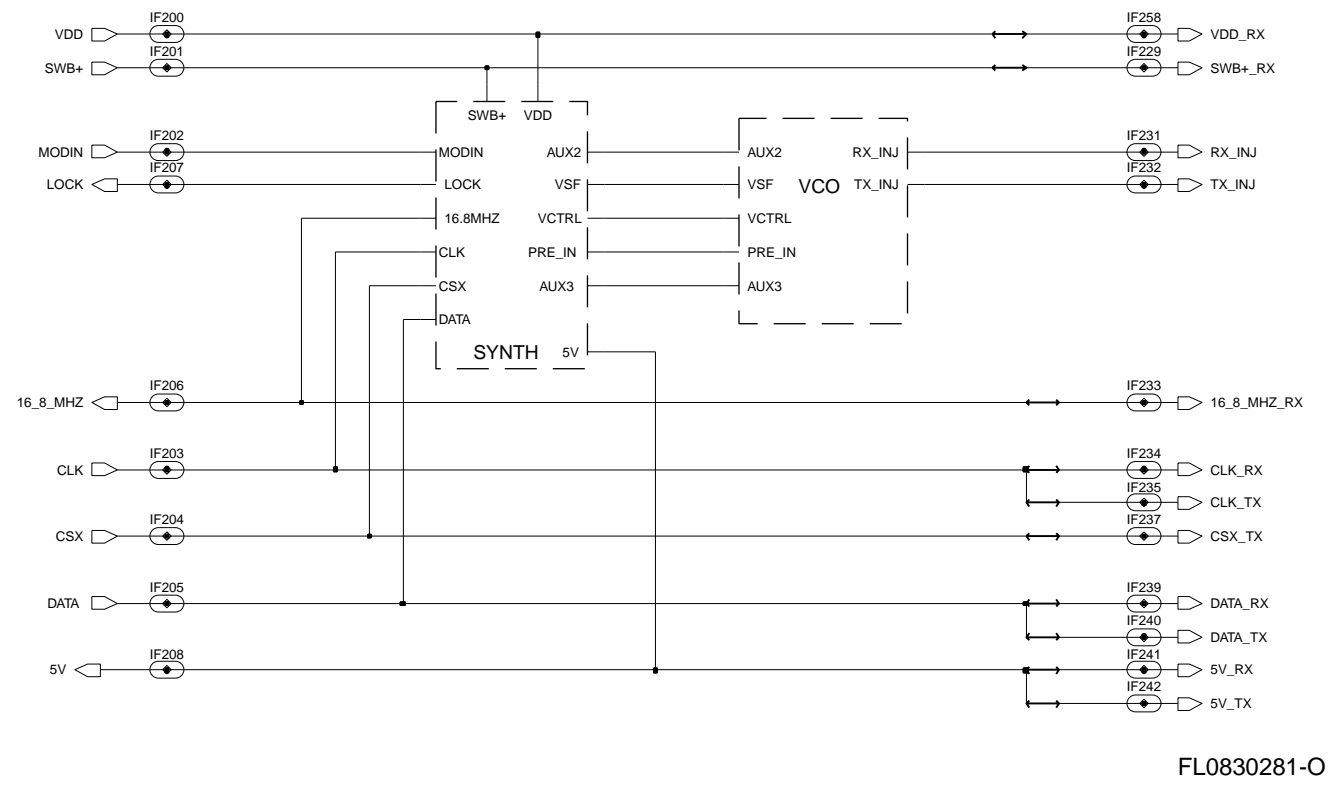
FL0830468-O

Lowband (30-50 MHz) Synthesizer

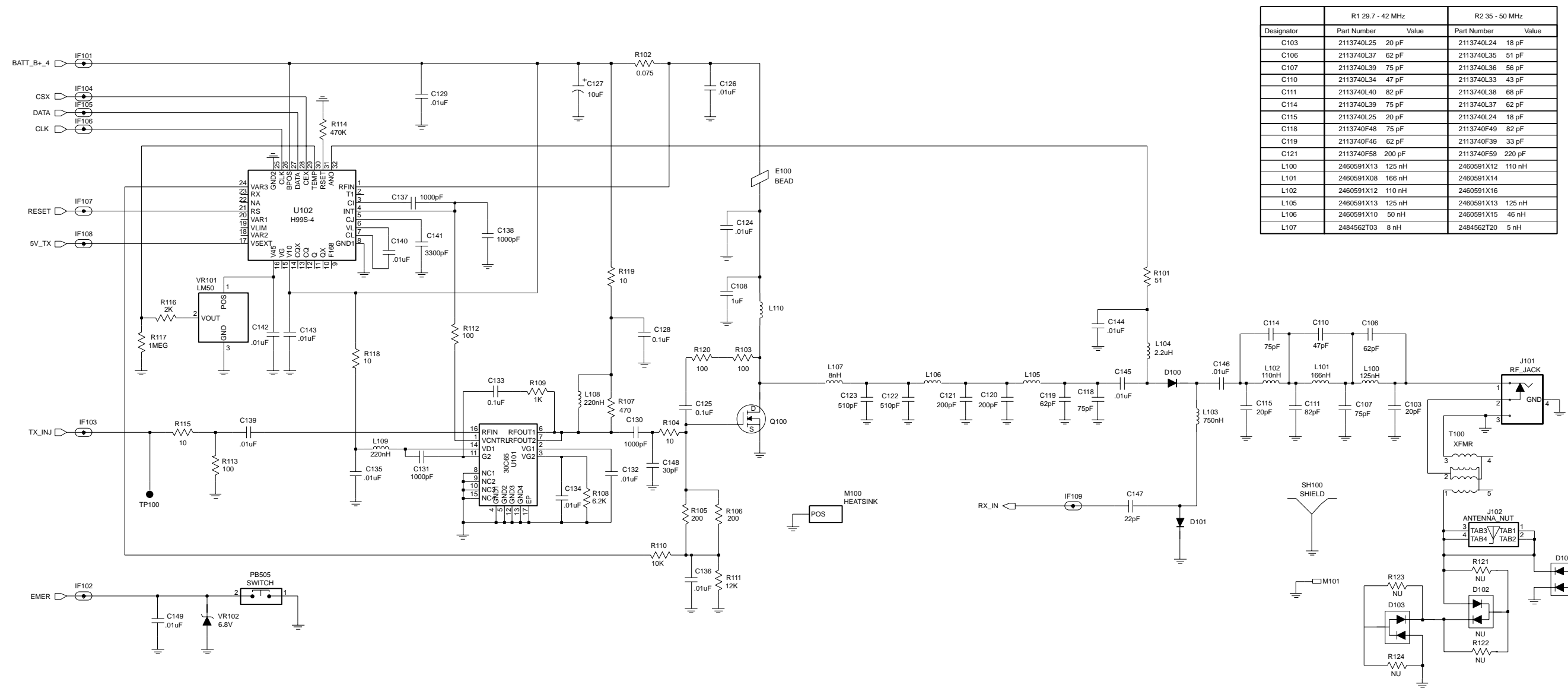


FL0830469-O

Lowband (30-50 MHz) Voltage Controlled Oscillator



Lowband (30-50 MHz) Overall Synthesizer Schematic



| Designator | R1 29.7 - 42 MHz | | R2 35 - 50 MHz | |
|------------|------------------|--------|----------------|--------|
| | Part Number | Value | Part Number | Value |
| C103 | 2113740L25 | 20 pF | 2113740L24 | 18 pF |
| C106 | 2113740L37 | 62 pF | 2113740L35 | 51 pF |
| C107 | 2113740L39 | 75 pF | 2113740L36 | 56 pF |
| C110 | 2113740L34 | 47 pF | 2113740L33 | 43 pF |
| C111 | 2113740L40 | 82 pF | 2113740L38 | 68 pF |
| C114 | 2113740L39 | 75 pF | 2113740L37 | 62 pF |
| C115 | 2113740L25 | 20 pF | 2113740L24 | 18 pF |
| C118 | 2113740F48 | 75 pF | 2113740F49 | 82 pF |
| C119 | 2113740F46 | 62 pF | 2113740F39 | 33 pF |
| C121 | 2113740F58 | 200 pF | 2113740F59 | 220 pF |
| L100 | 2460591X13 | 125 nH | 2460591X12 | 110 nH |
| L101 | 2460591X08 | 166 nH | 2460591X14 | |
| L102 | 2460591X12 | 110 nH | 2460591X16 | |
| L105 | 2460591X13 | 125 nH | 2460591X13 | 125 nH |
| L106 | 2460591X10 | 50 nH | 2460591X15 | 46 nH |
| L107 | 2484562T03 | 8 nH | 2484562T20 | 5 nH |

FL0830473-A

Lowband (30-50 MHz) Transmitter

3.0 Lowband PCB 8485658Z03 Parts List

| Circuit Ref | Motorola Part No. | Description |
|-------------|-------------------|-------------|
| C103 | 2113740L25 | 20pF |
| C103* | 2113740L24 | 18pF |
| C106 | 2113740L37 | 62pF |
| C106* | 2113740L35 | 51pF |
| C107 | 2113740L39 | 75pF |
| C107* | 2113740L36 | 56pF |
| C108 | 2113743F16 | 1.0uF |
| C110 | 2113740L34 | 47pF |
| C110* | 2113740L33 | 43pF |
| C111 | 2113740L40 | 82pF |
| C111* | 2113740L38 | 68pF |
| C114 | 2113740L39 | 75pF |
| C114* | 2113740L37 | 62pF |
| C115 | 2113740L25 | 20pF |
| C115* | 2113740L24 | 18pF |
| C118 | 2113740F48 | 47pF |
| C118* | 2113740F49 | 82pF |
| C119 | 2113740F46 | 62pF |
| C119 | 2113740F39 | 33pF |
| C120 | 2113740F58 | 200pF |
| C121 | 2113740F58 | 200pF |
| C121* | 2113740F59 | 220pF |
| C122 | 2113740A72 | 510pF |
| C123 | 2113740A72 | 510pF |
| C124 | 2113741A45 | 56pF |
| C125 | 2113743M24 | 0.01uF |
| C126 | 2113741A45 | 56pF |
| C127 | 2311049A18 | 10uF |
| C128 | 2113743M24 | 0.01uF |
| C129 | 2113743L41 | 0.01uF |
| C130 | 2113743L17 | 1000pF |
| C131' | 2113743L17 | 1000pF |
| C132 | 2113743L41 | 0.01uF |
| C133 | 2113743M24 | 0.01uF |
| C134 | 2113743L41 | 0.01uF |
| C135 | 2113743L41 | 0.01uF |
| C136 | 2113743L41 | 0.01uF |
| C137 | 2113743L17 | 1000pF |
| C138 | 2113743L17 | 1000pF |
| C139 | 2113743L41 | 0.01uF |
| C140 | 2113743L41 | 0.01uF |
| C141 | 2113743L29 | 3300pF |
| C142 | 2113743L41 | 0.01uF |
| C143 | 2113743L41 | 0.01uF |
| C144 | 2113743L41 | 0.01uF |
| C145 | 2113741A45 | 56pF |
| C146 | 2113741A45 | 56pF |
| C147 | 2113743N34 | 22pF |

| Circuit Ref | Motorola Part No. | Description |
|-------------|-------------------|-------------|
| C148 | 2113740F38 | 30pF |
| C149 | 2113743L41 | 0.01uF |
| C201 | 2113743L17 | 1000pF |
| C202 | 2113743N42 | 47pF |
| C203 | 2113743N34 | 18pF |
| C204 | 2113743L41 | 0.01uF |
| C205 | 2113743L41 | 0.01uF |
| C206 | 2113743N42 | 47pF |
| C214 | 2113741F49 | 0.1uF |
| C215 | 2113740L40 | 82pF |
| C216 | 2113740F38 | 30pF |
| C218 | 2113741F49 | 0.1uF |
| C219 | 2113741F49 | 0.1uF |
| C220 | 2113743N22 | 15pF |
| C221 | 2113741F49 | 0.1uF |
| C222 | 2113741F49 | 0.1uF |
| C223 | 2113743N19 | 5.1pF |
| C224 | 2113743N09 | 2pF |
| C225 | 2113743L41 | 0.1uF |
| C226 | 2113743N31 | 16pF |
| C227 | 2113741F49 | 0.1uF |
| C228 | 2113743N26 | 10pF |
| C229 | 2113743N48 | 82pF |
| C230 | 2113743N39 | 36pF |
| C231 | 2113743N44 | 56pF |
| C232 | 2113743A27 | 0.47uF |
| C233 | 2113743L41 | 0.01uF |
| C234 | 2113743A27 | 0.47uF |
| C235 | 2113932N44 | 56pF |
| C236 | 2113743N50 | 100pF |
| C237 | 2113743N12 | 2.7pF |
| C242 | 2113743N42 | 47pF |
| C247 | 2311049A56 | 4.7uF |
| C249 | 2113743L41 | 0.01uF |
| C255 | 2113741A61 | 0.047uF |
| C256 | 2113741A61 | 0.047uF |
| C257 | 2113741A61 | 0.047uF |
| C258 | 2311049F16 | 2.2uF |
| C259 | 2113743A27 | 0.47uF |
| C260 | 2113743F49 | 0.01uF |
| C261 | 2113741A27 | 0.47uF |
| C263 | 2311049A56 | 4.7uF |
| C280 | 2311049A09 | 2.2uF |
| C281 | 2104993J02 | 2.2uF |
| C283 | 2113743L41 | 0.01uF |
| C284 | 2113743L41 | 0.01uF |
| C285 | 2113743L41 | 0.01uF |
| C286 | 2113743L41 | 0.01uF |
| C287 | 2113743L41 | 0.01uF |
| C297 | 2113741F49 | 0.1uF |
| C298 | 2113743L41 | 0.01uF |

| Circuit Ref | Motorola Part No. | Description |
|-------------|-------------------|-------------|
| C299 | 2311049A56 | 4.7uF |
| C301 | 2113743N30 | 15pF |
| C302 | Not Placed | |
| C303 | 2113743R33 | 4700pF |
| C304 | 2113743R33 | 4700pF |
| C305 | 2113743R33 | 4700pF |
| C306 | 2113743N65 | 8pF |
| C307 | 2113743E20 | 0.1uF |
| C308 | 2180478Z20 | 1uF |
| C309 | 2113741F49 | 0.1uF |
| C310 | 2113743E20 | 0.1uF |
| C311 | 2113743N29 | 13pF |
| C312 | 2113743N29 | 13pF |
| C313 | 2113743N29 | 13pF |
| C314 | 2113743N29 | 13pF |
| C315 | 2113743N25 | 9.1pF |
| C316 | 2113743N30 | 15pF |
| C317 | 2311049A59 | 10uF |
| C319 | 2311049A59 | 10uF |
| C320 | 2113743A23 | 0.22uF |
| C321 | 2113743E07 | 0.022uF |
| C323 | 2113743E07 | 0.022uF |
| C324 | 2113743N50 | 100pF |
| C325 | 2113743A23 | 0.22uF |
| C326 | 2113743E20 | 0.1uF |
| C327 | 2113743R33 | 4700pF |
| C328 | 2113743E07 | 0.022uF |
| C330 | 2113743E20 | 0.1uF |
| C331 | 2113743E07 | 0.022uF |
| C332 | 2113743E20 | 0.1uF |
| C333 | 2109720D14 | 0.1uF |
| C334 | 2113740A82 | 1500pF |
| C335 | 2113743A23 | 0.22uF |
| C336 | 2311049A59 | 10uF |
| C337 | 2113743E07 | 0.022uF |
| C339 | 2113743F16 | 1uF |
| C340 | 2113743F16 | 1uF |
| C341 | 2113743F16 | 1uF |
| C342 | 2113743F16 | 1uF |
| C343 | 2113743A23 | 0.22uF |
| C348 | 2113743N09 | 2pF |
| C400 | 2113743L41 | .01uF |
| C401 | 2113743M24 | 0.1uF |
| C402 | 2113743M24 | 0.1uF |
| C403 | 2113928D08 | 10uF |
| C404 | Not Placed | |
| C405 | Not Placed | |
| C406 | Not Placed | |
| C407 | 2113928N01 | 0.1uF |
| C408 | 2113743N50 | 100pF |
| C409 | 2113743M24 | 0.1uF |

| Circuit Ref | Motorola Part No. | Description |
|-------------|-------------------|-------------|
| C410 | 2113928N01 | 0.1uF |
| C411 | 2113743M24 | 0.1uF |
| C412 | 2311049A59 | 10uF |
| C414 | 2113743M24 | 0.1uF |
| C415 | 2109720D01 | 0.1uF |
| C416 | 2113928N01 | 0.1uF |
| C419 | Not Placed | |
| C420 | 2113743L41 | .01uF |
| C421 | 2113928N01 | 0.1uF |
| C422 | 2113743M24 | 0.1uF |
| C423 | 2113743N50 | 100pF |
| C424 | 2311049A59 | 10uF |
| C425 | 2113743M24 | 0.1uF |
| C426 | 2113743N50 | 100pF |
| C427 | 2113743N50 | 100pF |
| C428 | 2113743M24 | 0.1uF |
| C429 | 2113743M24 | 0.1uF |
| C430 | 2113928N01 | 0.1uF |
| C431 | 2113743N50 | 100pF |
| C432 | Not Placed | |
| C433 | 2113743L41 | .01uF |
| C434 | 2113743M24 | 0.1uF |
| C435 | 2113743M24 | 0.1uF |
| C436 | 2113743N34 | 22pF |
| C437 | 2113743N34 | 22pF |
| C438 | 2113743F18 | 2.2pF |
| C440 | 2113743F18 | 2.2pF |
| C441 | 2113743N50 | 100pF |
| C442 | 2113743E20 | 0.1uF |
| C443 | 2113928N01 | 0.1uF |
| C444 | 2113743N50 | 100pF |
| C445 | 2113743N50 | 100pF |
| C447 | 2113743M08 | 0.022uF |
| C448 | 2113928N01 | 0.1uF |
| C449 | 2113743N50 | 100pF |
| C450 | Not Placed | |
| C451 | 2113743M08 | 0.022uF |
| C452 | 2113743G26 | 4.7uF |
| C453 | 2113743N50 | 100pF |
| C456 | 2113743N50 | 100pF |
| C458 | 2113743N50 | 100pF |
| C459 | 2113743N50 | 100pF |
| C463 | 2113743N50 | 100pF |
| C466 | 2113743N50 | 100pF |
| C467 | 2113928N01 | 0.1uF |
| C471 | 2113743N50 | 100pF |
| C472 | 2113743N50 | 100pF |
| C473 | 2113743N50 | 100pF |
| C475 | 2113743H14 | 10uF |
| C476 | 2113928D08 | 10uF |
| C479 | 2113928N01 | 0.1uF |

| Circuit Ref | Motorola Part No. | Description |
|-------------|-------------------|---------------------------|
| C480 | 2113743G24 | 0.1uF |
| C481 | 2113928N01 | 0.1uF |
| C482 | 2113928N01 | 0.1uF |
| C490 | 2113743N50 | 100pF |
| C491 | 2113743N50 | 100pF |
| C492 | 2113743N50 | 100pF |
| C493 | 2113743N50 | 100pF |
| C494 | 2113743N50 | 100pF |
| C495 | 2113743N50 | 100pF |
| C496 | 2113743N50 | 100pF |
| C497 | 2113743N50 | 100pF |
| C500 | 2113743L41 | 0.01uF |
| C502 | 2311049A05 | 0.47uF |
| C503 | 2113743N50 | 100pF |
| C504 | 2113743N43 | 51pF |
| C505 | 2113743N50 | 100pF |
| C506 | 2113743N50 | 100pF |
| C507 | 2113743K15 | 0.1uF |
| C511 | 2113743N50 | 100pF |
| C512 | 2113743N50 | 100pF |
| C513 | 2113743N50 | 100pF |
| C514 | 2113743N50 | 100pF |
| C515 | 2113743N44 | 56pF |
| C516 | 2113928N37 | 30pF |
| C522 | 2113743L41 | 0.01uF |
| C533 | 2113743N40 | 100pF |
| C534 | 2113743N24 | 8.2pF |
| C535 | 2113743N09 | 2pF |
| C536 | 2113743N36 | 27pF |
| C537 | 2113743N16 | 3.9pF |
| C538 | 2113743N48 | 82pF |
| CR200 | 4880107R01 | Varactor |
| CR201 | 4805648Q13 | Dual Varactor |
| CR202 | 4805648Q13 | Dual Varactor |
| CR203 | 4813833C07 | Varactor |
| CR204 | 4813833C07 | Varactor |
| CR211 | 4813833C03 | Varactor |
| CR301 | 4813833C01 | Varactor |
| CR411 | 4802245J62 | Schottky Diode |
| CR412 | 4802245J62 | Schottky Diode |
| CR413 | 4802245J62 | Schottky Diode |
| CR440 | 4813833C02 | Dual Diode Common Cathode |
| CR502 | 4880107R01 | Rectifier |
| CR503 | 4805729G49 | LED Red/Yellow |
| D100 | 4802482J02 | Pin Diode |
| D101 | 4809948D23 | Pin Diode |
| D102 | NOT PLACED | |
| D103 | NOT PLACED | |
| D104 | 4813833C06 | Dual Shottky Diode |
| D210 | 4802233J09 | Triple Diode |
| D211 | 4802233J09 | Triple Diode |

| Circuit Ref | Motorola Part No. | Description |
|-------------|-------------------|----------------------------|
| D501 | 4802245J42 | Ring Quad Diode |
| D502 | 4805129M06 | Dual Diode |
| E100 | 2480640R01 | Ferrite Bead |
| E400 | 2480640Z01 | Ferrite Bead |
| E401 | 2480640Z01 | Ferrite Bead |
| E402 | 2480640Z01 | Ferrite Bead |
| E403 | 2480640Z01 | Ferrite Bead |
| E404 | 2480640Z01 | Ferrite Bead |
| E405 | 2480640Z01 | Ferrite Bead |
| E406 | 2480640Z01 | Ferrite Bead |
| E407 | 2480640Z01 | Ferrite Bead |
| E408 | 2480640Z01 | Ferrite Bead |
| E409 | 2480640Z01 | Ferrite Bead |
| F1 | 6580542Z01 | Fuse 3A |
| FL301 | 4885631B01 | 109.65MHz Crystal Filter |
| FL401 | 4870368G02 | 38.4kHz Crystal Oscillator |
| J1 | 0986237A02 | Connector |
| J101 | 0985613Z01 | RF Jack |
| J102 | 0280519Z01 | Antenna Nut |
| J400 | 0905505Y04 | 40-pins Connector |
| J403 | 0905505Y02 | 20-pins Connector |
| L100 | 2460591X13 | 125nH |
| L100* | 2460591X12 | 110nH |
| L101 | 2460591X08 | 166nH |
| L101* | 2460591X14 | |
| L102 | 2460591X12 | 110nH |
| L102* | 2460591X16 | |
| L103 | 2462587T27 | 750nH |
| L104 | 2462587Q20 | 2.2uH |
| L105 | 2460591X13 | 125nH |
| L106 | 2460591X10 | 50nH |
| L106* | 2460591X15 | 46nH |
| L107 | 2484562T03 | 8nH |
| L107* | 2484562T20 | 5nH |
| L108 | 2462587Q08 | 220nH |
| L109 | 2462587Q08 | 220nH |
| L110 | 2460591X11 | 100nH |
| L200 | 2462587Q42 | 390nH |
| L201 | 2405452C63 | 1.35uH |
| L202 | 2405452C63 | 1.35uH |
| L203 | 2405452C63 | 1.35uH |
| L204 | 2462587T25 | 620nH |
| L207 | 2405452C27 | 4.7uH |
| L207* | 2405452C63 | 1.35uH |
| L208 | 2462587T20 | 270nH |
| L208* | 2462587T19 | 220nH |
| L209 | 2462587T20 | 270nH |
| L209* | 2462587T19 | 220nH |
| L210 | 2405452C63 | 1.35uH |
| L211 | 2462587T21 | 330nH |
| L212 | 2462587T16 | 5.45nH |

| Circuit Ref | Motorola Part No. | Description |
|-------------|-------------------|----------------------|
| L215 | 2409348J04 | 13.85nH |
| L225 | 2462587L50 | 100uH |
| L226 | 2462587Q24 | 4.7uH |
| L301 | 2462587V35 | 120nH |
| L302 | 2462587T23 | 470nH |
| L303 | 2462587V38 | 220nH |
| L304 | 2462587T22 | 390nH |
| L305 | 2462587T22 | 390nH |
| L306 | 2462587T40 | 33nH |
| L307 | 2462587Q20 | 2.2uH |
| L308 | 2462587Q20 | 2.2uH |
| L400 | 2462587Q42 | 390nH |
| L401 | 2462587Q42 | 390nH |
| L410 | 2462587Q42 | 390nH |
| L411 | 2462587Q42 | 390nH |
| L501 | 2462587T17 | 150nH |
| L502 | 2462587T20 | 270nH |
| L503 | 2462587T30 | 1nH |
| L504 | 2462587T24 | 560nH |
| L507 | 2462587T17 | 150nH |
| L508 | 2462587V32 | 68nH |
| PB501 | 4080523Z01 | Tactile, Push-button |
| PB502 | 4080523Z01 | Tactile, Push-button |
| PB503 | 4080523Z01 | Tactile, Push-button |
| PB504 | 4080523Z01 | Tactile, Push-button |
| PB505 | 4080523Z01 | Tactile, Push-button |
| Q100 | 4813828A08 | FET |
| Q201 | 4802245J44 | NPN |
| Q202 | 4805218N82 | FET |
| Q203 | 4805218N82 | FET |
| Q204 | 4805218N82 | FET |
| Q288 | 4802245J44 | NPN |
| Q301 | 4805218N63 | NPN |
| Q400 | 4809579E18 | MOSFET P-Channel |
| Q403 | 4880214G02 | NPN |
| Q405 | 4802245J54 | Dual NPN |
| Q410 | 4802245J54 | Dual NPN |
| Q411 | Not Placed | |
| Q416 | 4809579E18 | MOSFET P-Chan |
| Q417 | 4802245J50 | Dual NPN/PNP |
| Q509 | 4880214J44 | NPN |
| Q510 | 4880214G02 | NPN |
| R101 | 0662057A18 | 51 |
| R102 | 0680735Z01 | 0.075 |
| R103 | 0662057A25 | 100 |
| R104 | 0662057M26 | 10 |
| R105 | 0662057A32 | 200 |
| R106 | 0662057A32 | 200 |
| R107 | 0662057M66 | 470 |
| R108 | 0662057M93 | 6.2K |
| R109 | 0662057M74 | 1K |

| Circuit Ref | Motorola Part No. | Description |
|-------------|-------------------|-------------|
| R110 | 0662057M98 | 10K |
| R111 | 0662057N01 | 12K |
| R112 | 0662057M50 | 100 |
| R113 | 0662057M50 | 100 |
| R114 | 0662057N39 | 470K |
| R115 | 0662057M26 | 10 |
| R116 | 0662057M81 | 2K |
| R117 | 0662057N47 | 1M |
| R118 | 0662057A01 | 10 |
| R119 | 0662057A01 | 10 |
| R120 | 0662057A25 | 100 |
| R203 | 0662057M50 | 100 |
| R204 | 0662057M56 | 180 |
| R206 | 0662057U45 | 56 |
| R219 | 0662057N15 | 47K |
| R222 | 0662057N20 | 75K |
| R223 | 0662057N23 | 100K |
| R224 | 0662057M57 | 200 |
| R225 | 0662057M67 | 510 |
| R227 | 0662057M50 | 100 |
| R228 | 0662057M43 | 51 |
| R229 | 0662057M81 | 2K |
| R230 | 0662057M50 | 100 |
| R231 | 0662057M46 | 68 |
| R232 | 0662057N10 | 30K |
| R233 | 0662057M82 | 2.2K |
| R234 | 0662057A41 | 470 |
| R235 | 0662057M72 | 820 |
| R236 | 0662057M44 | 56 |
| R237 | 0662057M16 | 3.9 |
| R238 | 0662057M74 | 1K |
| R239 | 0662057M74 | 1K |
| R285 | 0662057M50 | 100 |
| R286 | 0662057M01 | 0 |
| R287 | 0662057N15 | 47K |
| R288 | 0662057M74 | 1K |
| R289 | 0662057M16 | 3.9 |
| R301 | 0662057M78 | 1.5K |
| R302 | 0662057N15 | 47K |
| R303 | 0662057N15 | 47K |
| R304 | 0662057M78 | 1.5K |
| R305 | 0662057M98 | 10K |
| R306 | 0662057M77 | 1.3K |
| R307 | 0662057M92 | 5.6K |
| R308 | 0662057N01 | 12K |
| R309 | 0662057N22 | 91K |
| R310 | 0662057M87 | 3.6K |
| R312 | 0662057M78 | 1.5K |
| R314 | 0662057M98 | 10K |
| R315 | 0662057N15 | 47K |
| R316 | 0662057M57 | 200 |

| Circuit Ref | Motorola Part No. | Description |
|-------------|-------------------|-------------|
| R317 | 0662057M81 | 2K |
| R318 | 0662057M33 | 20 |
| R400 | 0662057N15 | 47K |
| R401 | 0662057M01 | 0 |
| R402 | Not Placed | |
| R403 | Not Placed | |
| R405 | 0662057M01 | 0 |
| R406 | 0662057N20 | 75K |
| R407 | 0662057N19 | 68K |
| R408 | Not Placed | |
| R409 | 0662057M98 | 10K |
| R410 | 0662057N23 | 100K |
| R411 | 0662057M98 | 10K |
| R413 | 0662057M01 | 0 |
| R414 | 0662057V34 | 180K |
| R415 | 0662057V26 | 91K |
| R416 | 0662057N13 | 39K |
| R418 | Not Placed | |
| R419 | 0662057M67 | 510 |
| R420 | 0662057B46 | 10M |
| R421 | 0662057M81 | 2K |
| R423 | 0662057N21 | 82K |
| R424 | 0662057N12 | 36K |
| R425 | 0662057N10 | 30K |
| R426 | 0662057M35 | 330 |
| R427 | 0662057M84 | 2.7K |
| R428 | 0662057M10 | 2.2 |
| R429 | 0662057M98 | 10K |
| R431 | 0662057N39 | 470K |
| R432 | 0662057N16 | 51K |
| R434 | 0662057M62 | 330 |
| R435 | 0662057M81 | 2K |
| R436 | 0662057M74 | 1K |
| R437 | 0662057M01 | 0 |
| R445 | 0662057N08 | 24K |
| R446 | 0662057N30 | 220K |
| R447 | 0662057N52 | 1.6M |
| R448 | 0662057N33 | 270K |
| R449 | 0662057N08 | 24K |
| R450 | 0662057T45 | 68 |
| R457 | 0662057M98 | 10K |
| R460 | 0662057M90 | 4.7K |
| R461 | 0662057M56 | 180 |
| R462 | 0662057M98 | 10K |
| R463 | 0662057M61 | 300 |
| R471 | 0662057M92 | 5.6K |
| R472 | 0662057M93 | 6.2K |
| R473 | 0662057M26 | 10 |
| R475 | 0662057M01 | 0 |
| R476 | 0662057N08 | 24K |
| R477 | 0662057M74 | 1K |

| Circuit Ref | Motorola Part No. | Description |
|-------------|-------------------|-------------------------------------|
| R478 | 0662057M98 | 10K |
| R481 | 0662057N08 | 24K |
| R492 | 0662057M01 | 0 |
| R499 | Not Placed | |
| R501 | 0662057M70 | 680 |
| R502 | 0662057M56 | 180 |
| R503 | 0662057M74 | 1K |
| R504 | 0662057N01 | 12K |
| R505 | 0662057M68 | 10K |
| R507 | 0662057M60 | 270 |
| R508 | 0662057M32 | 18 |
| R509 | 0662057M60 | 270 |
| R510 | 0662057M87 | 3.6K |
| R512 | 0662057M90 | 4.7K |
| R513 | 0662057M26 | 10 |
| R514 | 0662057N15 | 47K |
| R515 | 0662057M98 | 10K |
| RT400 | 0680590Z01 | Thermistor 33K |
| S501 | 4080710Z01 | Channel Switch |
| S502 | 1880619Z01 | Volume Switch |
| SH100 | 2686076A01 | Shield |
| SH200 | 2685709B02 | Shield |
| SH201 | 2680511Z01 | Shield |
| SH202 | 2680511Z01 | Shield |
| SH203 | 2686079A01 | Shield |
| SH300 | 2680516Z01 | Shield |
| SH301 | 2680508Z01 | Shield |
| SH302 | 2680697Z01 | Shield |
| SH303 | 2680553Z01 | Shield |
| SH400 | 2680505Z01 | Controller Memory Shield |
| SH401 | 2680506Z01 | Controller On/Off Shield |
| SH402 | 2680515Z01 | Controller Microprocessor Shield |
| SH403 | 2680516Z01 | Controller ASFIC Cmp/Audi PA Shield |
| SH500 | 2680555Z01 | Shield |
| SH501 | 2680697Z01 | Shield |
| SH502 | 2680696Z01 | Shield |
| T100 | 2505515V03 | Transformer Coil |
| T501 | 2580541Z01 | Transformer Coil |
| T502 | 2580541Z01 | Transformer Coil |
| TR201 | 2460593D01 | Resonator, 50-300MHz |
| U101 | 5105109Z67 | LDMOS Driver |
| U102 | 5185765B01 | Power Control |
| U200 | 5102463J58 | 3.3V Regulator |
| U203 | 4805649Q14 | Varactor Diode |
| U204 | 5105739X05 | Linear Regulator |
| U205 | 5185963A27 | LV Fractional N Synthesizer |
| U207 | 4805921T06 | Dual PNP |
| U301 | 4885622B01 | Dual Gate MOSFET |
| U302 | 5185623B01 | 3.3V Regulator |

| Circuit Ref | Motorola Part No. | Description |
|-------------|-------------------|--------------------|
| U303 | 5109632D83 | Low Voltage ZIF |
| U400 | 5102463J40 | 3.3V Regulator |
| U404 | 5185963A53 | ASFIC |
| U405 | Not Placed | |
| U406** | 5102463J59 | ROM 256K |
| U407** | 5102463J64 | EEPROM 16Kx8 |
| U409 | 5102226J56 | Microcontroller |
| U410 | 5102463J57 | 3.3V Regulator |
| U420 | 5102463J44 | Audio PA |
| VR101 | 5185963A15 | Temperature Sense |
| VR102 | 4802245J51 | 6.8V Zener |
| VR200 | 4802245J51 | 6.8V Zener |
| VR201 | 4802245J51 | 6.8V Zener |
| VR202 | 4802245J51 | 6.8V Zener |
| VR203 | 4802245J53 | 6.8V Zener |
| VR432 | 4805656W08 | 5.6V Zener |
| VR433 | 4805656W08 | 5.6V Zener |
| VR434 | 4802245J51 | 6.8V Zener |
| VR445 | 4802245J53 | 10V Zener |
| VR446 | 4802245J53 | 10V Zener |
| VR447 | 4802245J53 | 10V Zener |
| VR448 | 4802245J53 | 10V Zener |
| VR449 | 4802245J53 | 10V Zener |
| VR450 | 4802245J53 | 10V Zener |
| VR500 | 4800245J51 | 6.8V Zener |
| VR501 | 4813830A18 | 6.8V Zener |
| VR502 | 4802245J51 | 6.8V Zener |
| Y201 | 4805875Z03 | Crystal Oscillator |

** Motorola Depot Servicing only.

* Range 2 Only.